

CS1201A & CS1201B

24V Lead-Acid Onboard Battery Chargers

Features/Benefits

- Five-stage charging cycle (cell preparation, charge qualification, bulk charge, cell balancing, and float charge); when used in conjunction with the CS11XX series motor controllers:
- Multiple protection levels with automatic recovery (short circuits, AC surges, battery reverse polarity and over temperature conditions)
- Charging indication (Built-in LED or external display)
- Designed to reduce battery heating and increase battery life (non-pulsed voltage)
- Charger can be left connected to batteries indefinitely to maintain full charge (through accurate float charge voltage)
- Extruded aluminum enclosure for EMI shielding and water resistance

Description

These chargers are designed to be used in conjunction with the CS11XX series motor controllers or as a stand-alone trickle chargers and are capable of charging two 12V, 17 Amp-Hour (or larger) sealed lead acid batteries wired in series.

These chargers are a true on-board battery charger, in that they are designed to be mounted permanently on a unit using existing enclosure mounting holes. These units are fully enclosed to minimize water entry.

When used with a CS11XX series motor controller, the CS11XX controller controls the entire charge cycle and monitors battery conditions to ensure batteries are fully charged without over-charging.

Our battery chargers are UL recognized to the following UL specifications:

CS1201A # UL 1012 E247509
CS1201B # UL 60601-1 E319673



CS1201A shown

- Switching power supply provides higher power output with smaller size and weight than traditional linear chargers
- Less than 8 hour recharge for battery capacity under 24 Amp-Hours (ANSI measurement method)

About Us

We solve the world's toughest motion control challenges, providing custom solutions focusing on personal mobility and patient transportation products as well as many commercial applications. For over 20 years, Control Solutions LLC has developed a wide array of microprocessor-based control and battery charging solutions designed for flexible integration, feature-rich functionality, and robust performance.



Visit our website:
www.controls.com



Designed &
Manufactured

in the USA

Specifications

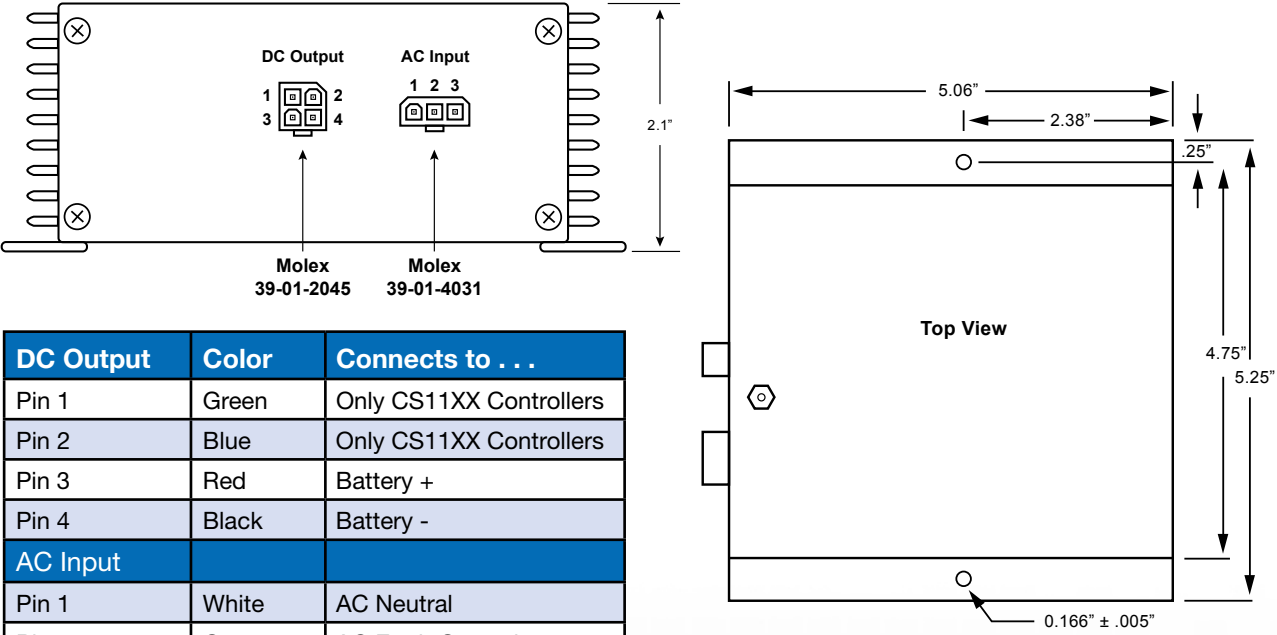
CS1201A/CS1201B* Specifications	Unit of Measure	Minimum	Nominal	Maximum
AC Input	Voltage	90	120	130
AC Input	Hz	50	60	60
AC Input Current	Amps		0.8	1.2
Peak Charge	Amps			3.7
Output Bulk Charge	Voltage	29.2	29.3	29.4
Output Float Charge	Voltage	27.4	27.6	27.9
Trickle Charge Current	mAmps		50	
Operating Ambient Temperature	°F (°C)	-4 (-20)	77 (25)	113 (45)
Physical Size	Inches (mm)		5.3 x 5.3 x 2.1 (135 x 135 x 53)	
Weight: CS1201A CS1201B	lbs. (kg)		1.55 (0.70) 3.02 (1.37)	

Our battery chargers are UL recognized to the following UL specifications:

CS1201A # UL 1012 E247509

CS1201B # UL 60601-1 E319673

CS1201A & CS1201B Connectors



The diagram shows the DC Output and AC Input connectors. The DC Output connector is a Molex 39-01-2045 with 4 pins. The AC Input connector is a Molex 39-01-4031 with 3 pins. The top view shows a rectangular device with dimensions: 5.06" total width, 2.38" width for the connector area, 2.1" height, and 0.25" thickness. The main body is 4.75" high and 5.25" high at the bottom. A hole diameter is specified as 0.166" ± .005".

DC Output	Color	Connects to . . .
Pin 1	Green	Only CS11XX Controllers
Pin 2	Blue	Only CS11XX Controllers
Pin 3	Red	Battery +
Pin 4	Black	Battery -
AC Input		
Pin 1	White	AC Neutral
Pin 2	Green	AC Earth Ground
Pin 3	Black	AC Power

Specifications subject to change without notice.

