

CS1108S-3

12/24/36 Volt PWM Motor Controller

Features/Benefits

- Four quadrant, full H-bridge design
- Fully Programmable
- Over Temperature Protection
- LED diagnostic codes
- Power on Demand
- Throttle Fault detection
- Low/High Voltage Shutdown
- On-board integrated charging control
- Anti-Rollback
- Designed and fully manufactured in the USA
- Compliance with US and European regulations



Description

Over twelve years of product evolution and extensive design time have made the CS1108S-3 one of the most versatile and advanced motor controllers of its kind. With almost 100 programmable profile parameters (via a handheld programmer), the CS1108S-3 can be programmed to operate smoothly, reliably, and efficiently in a wide range of applications. Its flexible architecture is designed to allow a custom fit for special applications. The CS1108S-3 offers the highest in current carrying capability of any motor controller its size in the industry today, up to 150 Amps. The CS1108S-3 also uses industry standard connectors, allowing simple change-over of existing product lines and field replacements.

These controllers are designed for medium to heavy-duty permanent magnet motor applications. These controllers are ideal for use on three or four wheeled mobility scooters as well as light industrial and commercial

applications including sweepers, scrubbers, and utility carts. The CS1108S-3 is available in 12V, 24V, and 36V versions.

About Us

For over 20 years, Controls Solutions LLC has designed, developed and manufactured a wide array of high-technology products for Military Vehicle Systems, Commercial/Industrial Motion Control, and Medical Electronics. Our core technology strengths allow us to provide rapid response to customer needs worldwide.

The chargers and controllers from Control Solutions LLC have always had product reliability is our top priority. Significant investments into the design of our custom microprocessor along with the rugged controller design and years of experience, has made our chargers and controllers an industry standard.



Visit our website:
www.controls.com



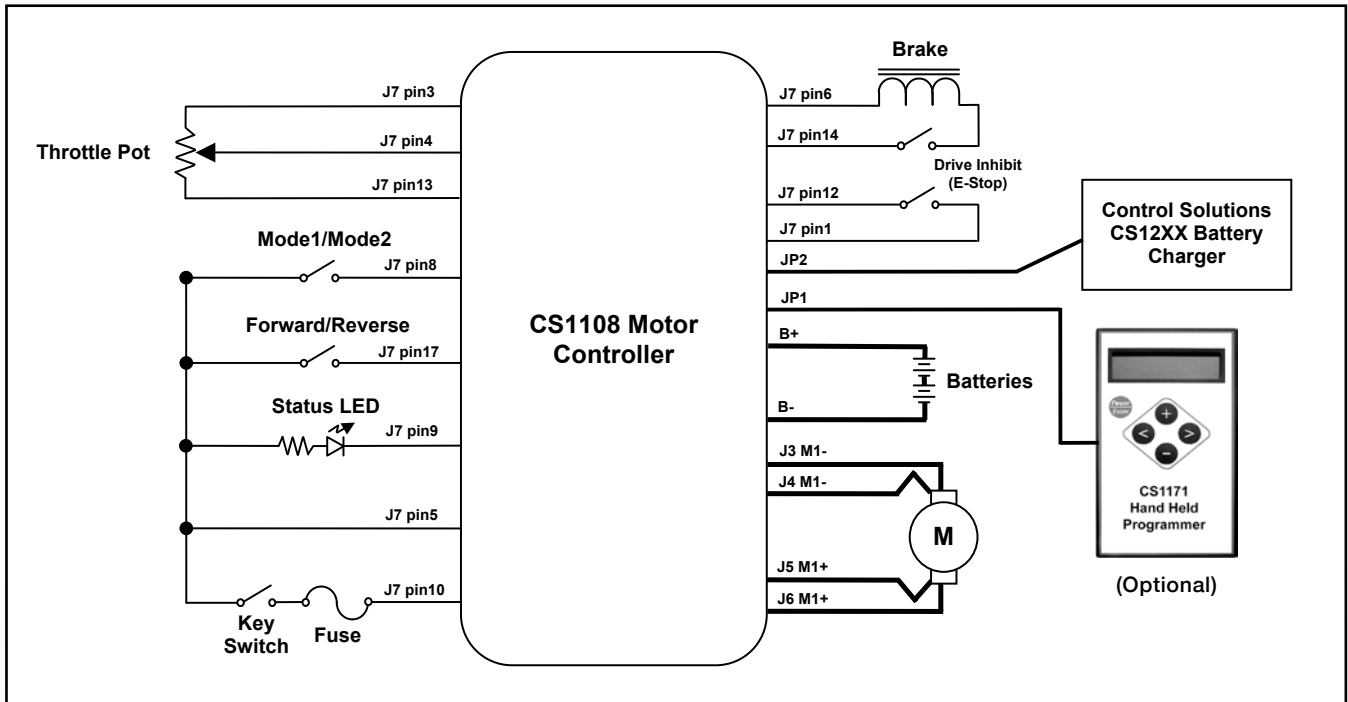
Specifications

CS1108S-3 Specifications	Minimum	Nominal	Maximum
Input Voltage – 12Vdc	8.5	12	20
Input Voltage – 24Vdc	17	24	36
Input Voltage – 36Vdc	26	36	48
Peak Current Limit Amps*		150/110**	
Continuous Current Limit Amps*		70/40**	
Stand By Current @ 24V mAmps		30	
Operating Ambient Temperature °F (°C) (Optional Ambient Temperature)	-40 (-40) -85 (-65)	77 (25) -	113 (45) 221 (105)
Extended Ambient Temperature °F (°C) (available on request)	-40 (-40)	77 (25)	140 (60)
Enclosure Flammability Rating: ULV94V-0		-	
Physical Size, Inches (mm)		3.3 x 5.8 x 1.8 (84 x 147 x 46)	
Weight, lbs. (kg)		.82 (.37)	

* Current limit parameters are programmable.

** The CS1108S-3 is available in 110A and 150A peak versions.

CS1108S-3 Typical Wiring Diagram



Specifications subject to change without notice.

