



CS5000 Series Lightweight Gun Turret

Features/Benefits

- Lightest powered turret on the market (165 lbs.)
- Motorized, hand-cranked and manual models available
- Common ring-mount solution for various vehicles
- Fixed or Flexible A-Frame Available
- Flexible A-Frame provides gun tilt range from -15 to + 30 degrees
- Easy vehicle integration and installation
- Supports multiple weapon systems
- Optional gun shield and gunner protection kits in steel, ceramic or composite armor



Shown full featured CS5200 Lightweight Motorized Gun Turret.

Description

The **CS5000 Series Turrets are the lightest turrets on the market today.** The Lightweight Gun Turret (LGT) provides a one-piece system that can be easily mounted on almost any vehicle. The base turret weight is only 165 lbs (75kg) making it an ideal choice for tactical vehicles. Reducing the vehicle weight will continue to be a key requirement of military and police forces worldwide.

We have many configurations to choose from to fit your budget and needs. We have our base, hand-cranked version to a fully motorized turret with weapon mounted turret controllers, which allows the gunner to operate via a finger-tip or thumb controller without taking their eyes off the target.

The CS5000 table below shows the base unit and common specifications. This is a good starting point when trying to spec a turret for your vehicle.

About Us

Designing and manufacturing field-hardened systems to meet the challenges of the military for over 20 years. Control Solutions LLC, your rapid-response provider of motion control solutions.

CS5000 Series Common Specifications

Overall weight, pounds (metric)	165 lbs (75kg) [without weapon or pintle mount]
Turret Ring Diameter, Inches (mm)	ID: 30.2 (768) – OD: 38.8 (978)
Vehicle rooftop mounting hole, Inches (mm)	36 (915) nominal using M10 bolts
Armament	Qualified with 7.62mm – 12.7mm – 40mm AGL, buffered mount recommended
Safe zone	No-fire zone can be installed preventing traverse of the LGT in this area
Protection for gunner	Can be modified to provide ballistic protection up to STANAG 4569 level 3
Overhead protection	Adjustable ballistic top cover protection can be installed

All specifications subject to change without notification.



Visit our website:
www.controls.com



BR0098-02

CS5000 Series Lightweight Gun Turret

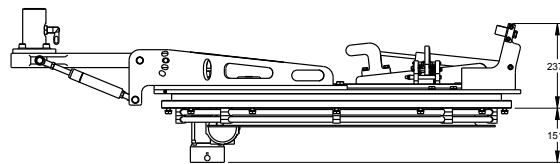
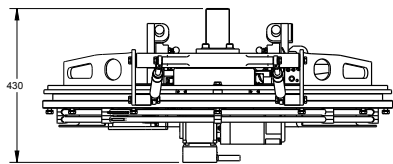
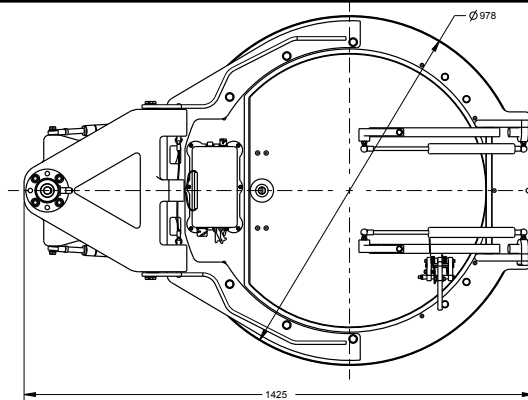
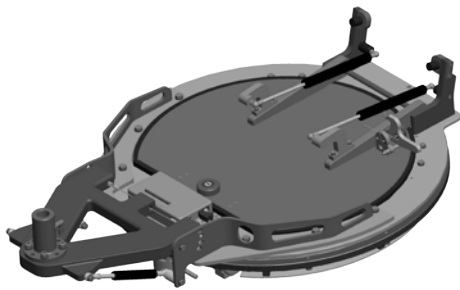
Specifications

Common for all models	
Voltage	24 VDC
Current	12A (nominal) – 40A (stall)
Overall weight, pounds (metric)	165 lbs (75kg) [without weapon or pintle mount]
Turret Ring Diameter, Inches (mm)	ID: 30.2 (768) – OD: 38.8 (978)
Vehicle rooftop mounting hole, Inches (mm)	36 (915) nominal using M10 bolts
Armament	Qualified with 7.62mm – 12.7mm – 40mm AGL, buffered mount recommended
Adjustable gun mount A-frame	-15° to + 30°
Manual operation	Yes (if vehicle power fails)
Safe zone	No-fire zone can be installed preventing traverse of the LMGT in this area
Protection for gunner	Can be modified to provide ballistic protection up to STANAG 4569 level 3
Overhead protection	Adjustable ballistic top cover protection can be installed

Model	Base	Power Train	Flex A-Frame	Fixed A-Frame	Hatch Cover	Hand Crank
CS5200	■	■	■	-	■	-
CS5210	■	■	■	-	-	-
CS5230	■	■	-	■	■	-
CS5240	■	■	-	■	-	-
CS5300	■	-	-	■	■	■
CS5310	■	-	■	-	-	■
CS5330	■	-	-	■	■	■
CS5340	■	-	-	■	-	■
CS5350	■	-	-	■	-	-

■ = assemblies included.

CS5200 Diagram



Note: Specifications are subject to change without notice.



CONTROL SOLUTIONS LLC™
2520 Diehl Road, Aurora, Illinois 60502
Tel: 630.806.7062 Fax: 630.806.7065
www.controls.com

BR0098-02