



# CS1232

## 24V 60W Battery Charger Integrated - Lead Acid

### Features/Benefits

- Two charging modes:
  - Five-stage charging: cell preparation, charge qualification, bulk charge, cell balancing, and float charge (when connected to a CS11XX motor controller)
  - Single stage float charge when used in stand-alone configuration
- Protection against short circuits, AC surges, battery reverse polarity and over temperature conditions – with automatic recovery.
- Built-in power factor correction
- Constant voltage (not pulsed) to reduce battery heating and increase battery life.
- Accurate float charge voltage allows charger to be left connected to batteries indefinitely to maintain full charge.
- Extruded aluminum enclosure, charger is potted to aid thermal characteristics and vibration.



### Description

The CS1232 charger is designed to be used in conjunction with the CS11XX series motor controllers or as a standalone trickle charger and is capable of charging two 12V, 17 Ah (or larger) sealed lead acid batteries wired in series.

The charger is a true on-board solution. It is designed to be mounted permanently on a unit using existing enclosure mounting holes. This charger is fully enclosed to minimize water entry.

When used with a CS11XX motor controller, the entire charge cycle and battery conditions are automatically managed to ensure batteries are fully charged without over-charging.

### About Us

We solve the world's toughest motion control challenges, providing custom solutions focusing on personal mobility and patient transportation products as well as many commercial applications. For over 20 years, Control Solutions LLC has developed a wide array of microprocessor-based control and battery charging solutions designed for flexible integration, feature-rich functionality, and robust performance.



Visit our website:  
[www.controls.com](http://www.controls.com)



# CS1232

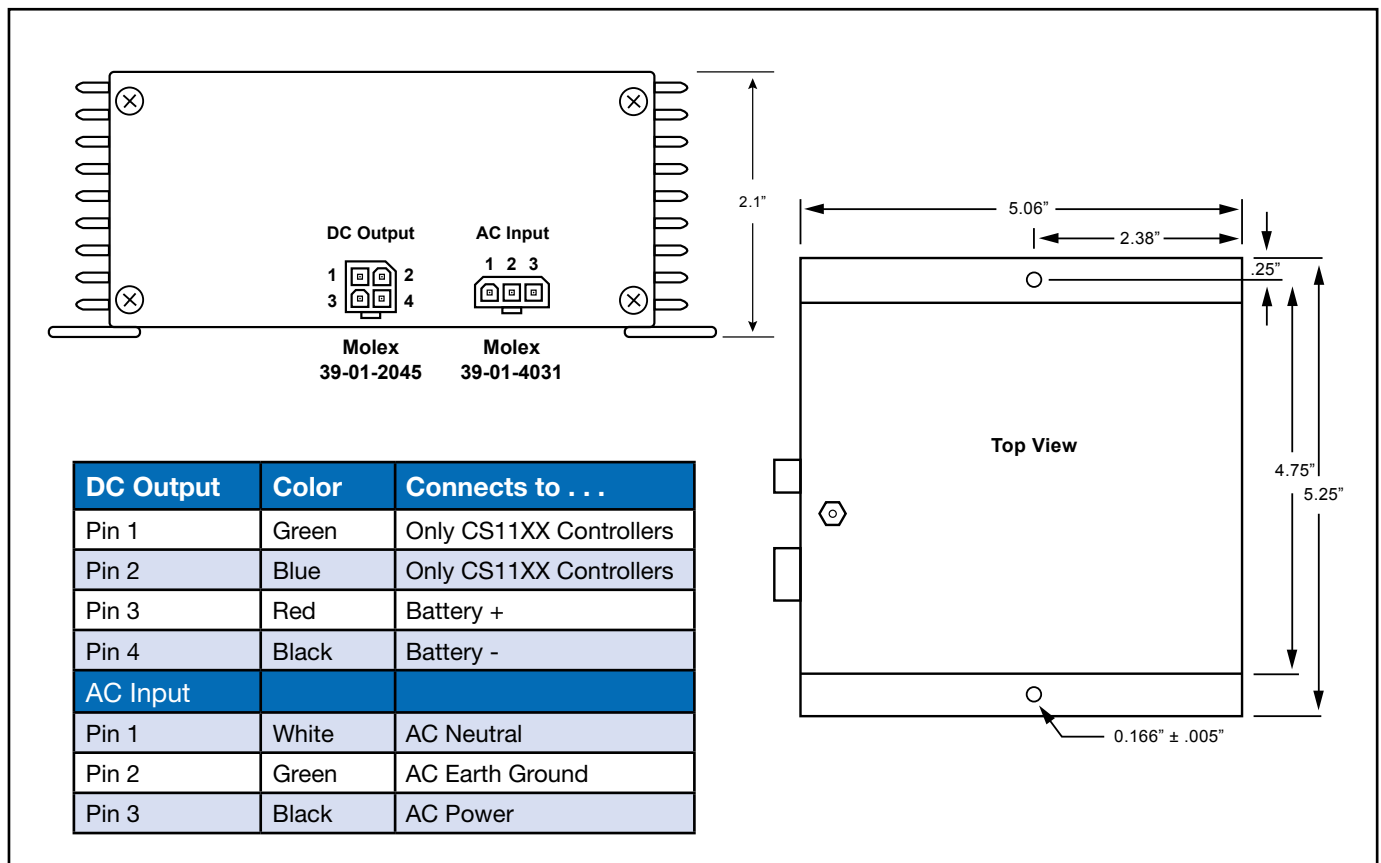
## 24V 60W Battery Charger Integrated - Lead Acid

### Specifications

CS1232 Specifications	Unit of Measure	Minimum	Nominal	Maximum
AC Input	Voltage	90	110	240
AC Input Frequency	Hz	50	60	60
AC Input Current	Amps		0.8	1.2
DC Power	Watts		60	
Peak Charge	Amps			3.7
Output No Load Bulk Charge	Voltage	29.2	30	30.1
Output Float Charge	Voltage	27.5	27.6	27.7
Operating Ambient Temperature	°F (°C)	-4 (-20)	77 (25)	113 (45)
Physical Size	Inches (mm)		5.1 x 5.3 x 2.1 (129 x 135 x 53)	
Weight	lbs. (kg)		2.8 (1.3)	

All specifications are subject to change without notice.

### CS1232 Connectors and Mounting Dimensions



All specifications subject to change without notice.



CONTROL SOLUTIONS LLC™  
2520 Diehl Road, Aurora, Illinois 60502  
Tel: 630.806.7062 Fax: 630.806.7065  
www.controls.com



BR0074-02