



CS1108 Series

12/24/36 Volt PWM

Motor Controller

Features/Benefits

- Four quadrant, full H-bridge design
- Fully Programmable
- Over Temperature Protection
- LED diagnostic codes
- Power on Demand
- Throttle Fault detection
- Low/High Voltage Shutdown
- On-board integrated charging control
- Anti-Rollback
- Designed and fully manufactured in the USA
- Compliance with US and European regulations



Description

Over twelve years of product evolution and extensive design time have made the CS1108 series one of the most versatile and advanced motor controllers of its kind. With almost 100 programmable profile parameters (via a handheld programmer), the CS1108 series can be programmed to operate smoothly, reliably, and efficiently in a wide range of applications. Its flexible architecture is designed to allow a custom fit for special applications. The CS1108 series offers the highest in current carrying capability of any motor controller its size in the industry today, up to 150 Amps. The CS1108 series also uses industry standard connectors, allowing simple changeover of existing product lines and field replacements.

These controllers are designed for medium to heavy-duty permanent magnet motor applications. These controllers are ideal for use on three or four wheeled mobility

scooters as well as light industrial and commercial applications including sweepers, scrubbers, and utility carts. The CS1108 series is available in 12V, 24V, and 36V versions.

About Us

We solve the world's toughest motion control challenges, providing custom solutions focusing on personal mobility and patient transportation products as well as many commercial applications. For over 20 years, Control Solutions LLC has developed a wide array of microprocessor-based control and battery charging solutions designed for flexible integration, feature-rich functionality, and robust performance.



Visit our website:
www.controls.com



CS1108 Series 12/24/36 Volt PWM Motor Controller

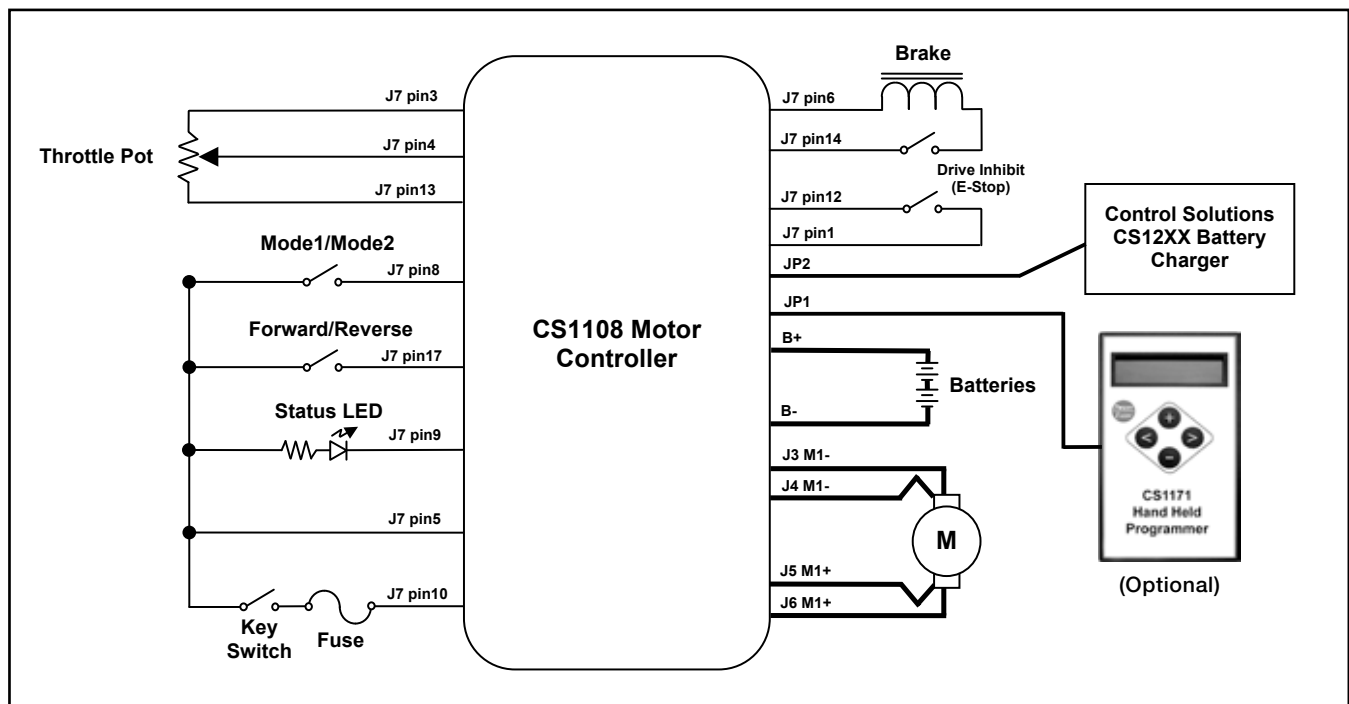
Specifications

CS1108 Series Specifications	Minimum	Nominal	Maximum
Input Voltage – 12Vdc	8.5	12	20
Input Voltage – 24Vdc	17	24	36
Input Voltage – 36Vdc	26	36	48
Peak Current Limit Amps*		150/110**	
Continuous Current Limit Amps*		70/40**	
Stand By Current @ 24V mAmps		30	
Operating Ambient Temperature °F (°C) (Optional Ambient Temperature)	-40 (-40) -85 (-65)	77 (25) -	113 (45) 221 (105)
Extended Ambient Temperature °F (°C) (available on request)	-40 (-40)	77 (25)	140 (60)
Enclosure Flammability Rating: ULV94V-0		-	
Physical Size, Inches (mm)		3.3 x 5.8 x 1.8 (84 x 147 x 46)	
Weight, lbs. (kg)		.82 (.37)	

* Current limit parameters are programmable.

** The CS1108 Series is available in 110A and 150A peak versions.

CS1108 Series Typical Wiring Diagram



Specifications subject to change without notice.



BR0049-02



CONTROL SOLUTIONS LLC™
2520 Diehl Road, Aurora, Illinois 60502
Tel: 630.806.7062 Fax: 630.806.7065
www.controls.com