



CS1106

24 Volt PWM Motor Controller

Features/Benefits

- Fully Programmable
- Over Temperature Protection
- LED diagnostic codes
- Power on Demand
- Throttle Fault detection
- Low/High Voltage Shutdown
- On-board integrated charging control
- Anti-Rollback
- Designed and fully manufactured in the USA
- Compliance with US and European regulations



Description

The CS1106 is a 24 volt PWM Motor Controller designed for medium to heavy-duty permanent magnet motor applications. Typical applications are home health care scooters, shopper scooters, utility carts, light duty floor care products, and many other applications. The CS1106 uses industry standard connectors, allowing simple change over on existing product lines and field replacements.

What makes the CS1106 unique to other industry motor controllers is that it uses Application Specific Integrated Circuit (ASIC) technology. Control Solutions LLC is a pioneer in incorporating its own custom ASIC chip for use in the electric mobility industry. The ASIC chip enables us to more effectively add features, while decreasing component count and increasing reliability. The CS1106 is a feature rich controller that was designed for the highest level of quality and reliability.

About Us

Control Solutions LLC designs, manufactures and provides American made mobility products for the dealer-provider marketplace. We are committed to providing state-of-the-art designed products that will give the independent dealer a competitive advantage. Product reliability is our top priority. Significant investments into the design of our custom ASIC chip along with controller design and years of experience, has made our controllers an industry standard.

Control Solutions LLC is a pioneer of several industry standards and user features. We continue to innovate and evaluate new ideas and strive to help shape the future of electric mobility.



Visit our website:
www.controls.com



CS1106

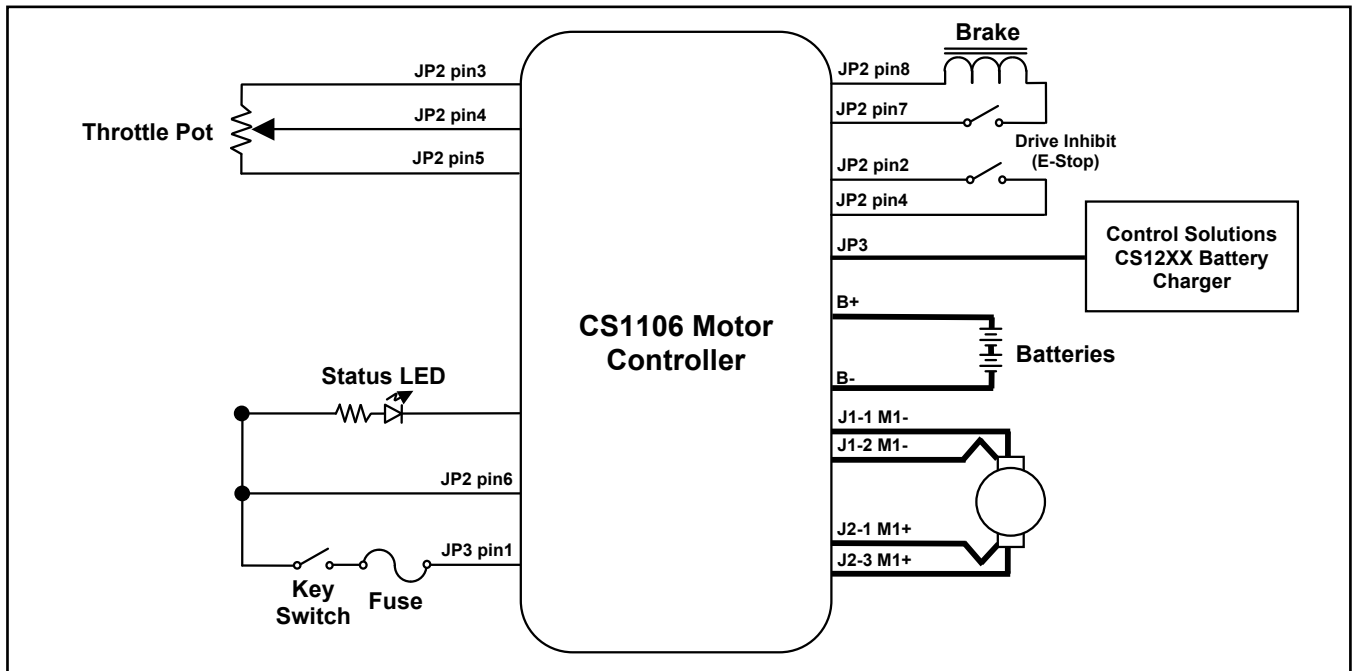
24 Volt PWM Motor Controller

Specifications

CS1106 Specifications	Minimum	Typical	Maximum
Input Voltage – 24Vdc	17	24	33
3 sec current limit* – Amps		90	
15 sec current limit* – Amps		55	
2 minute current limit* – Amps		30	
PWM Frequency – KHz		20	
EM brake output current – Amps			1
EM brake activation timing – Seconds		2 (variable)	
Operating Ambient Temperature °F (°C)	-40 (-40)	77 (25)	113 (45)
Keyswitch surge current – mAmp			2
Continuous keyswitch current – mAmp			1.2
Stand-by current @24V – mAmp		30	
Inactivity timeout current @24V – mAmp			<1.0
Physical Size, Inches (mm)		5 x 4 x 1 (127 x 102 x 25)	
Weight, lbs (kg)		.424 (.19)	

* These parameters are programmable. The CS1106 is also available in 30A or 60A peak versions.

CS1106 Series Typical Wiring Diagram



Specifications subject to change without notice.



BR0057-02